

2.3 Meta-Flange-Sightglass

up to 10/-1 bar

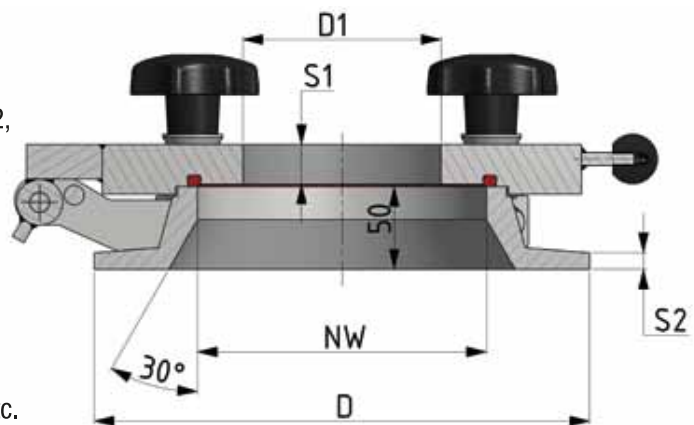
Standard design

- Wetted material: 1.4571 or 1.4404; Metaglass® from 1.4462 / Borosilicateglass DIN7080; attachment parts from 1.4301
- Plastic handles with stainless steel insert and brass washer
- Silicone gasket
- With hinge and handle with plastic knob
- Flange thickness: 50 mm
- Surface unpolished, glass-bead blasted
- With approval (Modul G) acc. PED 97/23/Ec
- Design Code: AD-2000-Merkblatt



Options

- Wetted materials: 1.4435 BN2, 1.4539, 1.4529, 1.4462, 1.4429, HC-22, HC-276, HC-2000, etc.
- Metaglass® from 2.4602 / Quarz- or Saphirglass
- Intermediate sizes
- Various gasket qualities
- Various surface qualities of the flange (glass-bead blasted, pickled or polished up to $Ra < 0,2 \mu m$)
- Various handles: Stainless steel handle, toggle, nuts, etc.
- Locking pin in open position
- Spring assists (torsion-, disc-, or gasspring)
- With various limit- or proximity-switches
- With safety-grill or safety-cross
- Attachment parts in other materials



- With wiper and/or light
- Various Design Codes: ASME VIII-1, EN13445, ...
- Optional with ASME-Approval Sec. VIII-1, latest Edition (additional surcharge, design-changes possible)

Article No.	NW	MAWP [bar]	Working temperature [°C]	Number of screws M16	Thickness of glass S1 [mm]	Thickness of flange S2 [mm]	Outside diameter D [mm]	Viewing D1 [mm]	Weight [kg]	Price in EUR
221 000 FLANSCH	100	10	280	4	24	10	225	ø 70	15	
221 250 FLANSCH	125	10	280	4	24	10	250	ø 90	16	
221 500 FLANSCH	150	10	280	4	24	10	275	ø 110	17	
221 750 FLANSCH	175	10	280	4	24	10	300	ø 120	19	
222 000 FLANSCH	200	10	280	6	24	10	325	ø 130	21	
222 250 FLANSCH	225	10	280	8	24	10	350	ø 140	24	

Gaskets see chapter 9.1

zimmerlin
EDELSTAHL-TECHNIK