

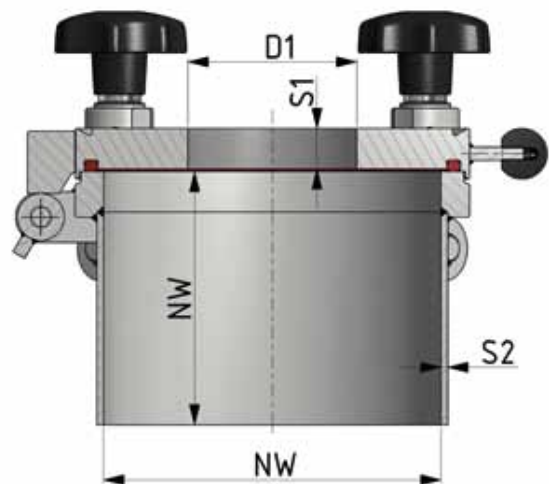


### Options

- Wetted materials: 1.4435 BN2, 1.4539, 1.4529, 1.4462, 1.4429, HC-22, HC-276, HC-2000, etc.
- Metaglass® from 2.4602 / Quarz- or Saphirglass
- Intermediate sizes
- Various gasket qualities
- Various surface qualities (glass-bead blasted, pickled or polished up to  $Ra < 0,2 \mu m$ )
- Neck length up to 2000 mm, neck thickness up to 20 mm
- Conical design of the neck (up to max. 8 mm neck thickness)
- Various handles: Stainless steel handle, toggle, nuts, etc.
- Cover side swiveling
- With wedge for side installation
- Locking pin in open position
- Spring assists (torsion-, disc-, or gasspring)
- Installation of various nozzle into the neck
- With various limit- or proximity-switches
- With safety-grill or safety-cross

### Standard design

- Wetted material: 1.4571 or 1.4404, Metaglass® from 1.4462 / Borosilicateglass DIN7080, attachment parts from 1.4301
- Plastic handle with stainless steel insert
- Silicone gasket
- With hinge and handle with plastic knob
- Neck length 150 mm, neck thickness 4 mm
- Surface unpolished, glass-bead blasted
- With approval (Modul G) acc. PED 97/23/Ec
- Design Code: AD-2000-Merkblatt



- Attachment parts in other materials
- Neck shaped to match tank-diameter
- With wiper and/or light
- Various Design Codes: ASME VIII-1, EN13445, ...
- Optional with ASME-Approval Sec. VIII-1, latest Edition (additional surcharge, design-changes possible)

Article No.	NW	MAWP [bar]	Working temperature [°C]	Number of screws M16	Thickness of glass S1 [mm]	Neck thickness [mm]	Viewing D1 [mm]	Weight [kg]	Price in EUR
221 000 META	100	4 bar	280 °C	4	24	4	ø 60	14	
221 012 META	100	12 bar	280 °C	4	24	6	ø 60	15	
221 500 META	150	4 bar	280 °C	4	24	4	ø 75	15	
221 504 META	150	10 bar	280 °C	4	24	6	ø 75	16	
222 000 META	200	4 bar	280 °C	4	24	4	ø 100	19	
222 010 META	200	10 bar	280 °C	4	24	6	ø 100	21	
222 500 META	250	4 bar	280 °C	4	24	4	ø 125	26	
222 508 META	250	8 bar	280 °C	4	24	6	ø 125	28	
223 000 META	300	4 bar	280 °C	4	24	4	ø 150	30	
223 006 META	300	6 bar	280 °C	6	24	6	ø 150	32	