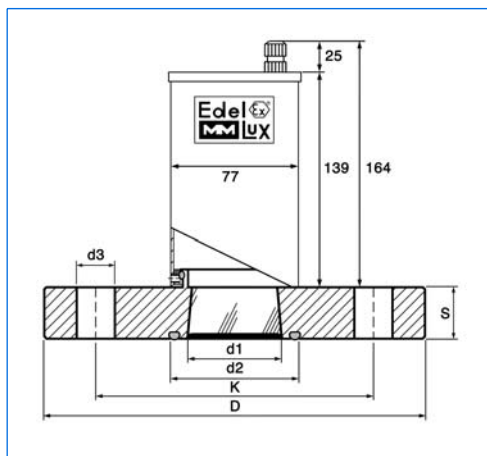


Hazardous sightglass light fittings from stainless steel for sterile applications

Series EdelEx 5 / 10 / 20 dH / EdelEx d LED on metal fused sightglass flanges for sterile processes



Sightglass light fitting type EdelEx STERI-LINE 20 dH, 24 V, 20 W, Ex d IIC T4 Gb, Ex t IIIC T130°C Db IP67, Ex II 2 G + D, on metal fused sightglass flange



Dimensions with mounted sightglass light fitting

Branch office / exclusive agent:

All dimensions in mm. Subject to changes without preliminary notice.



Application:

On metal fused sightglass flanges for mounting onto

- base flanges to DIN 28117 or similar
- weldnecks with flat face

for the optimal illumination of small and pilot reactors as well as vessels for sterile and aseptic applications, mainly in the pharmaceutical, biotechnological, cosmetic and food processing industries.

IMPORTANT: Only for use with parallel flat face flanges without seal recess. We recommend the use of Belleville spring washers, 2 pcs. for each connection hole.

Advantages:

- Brilliant and glare free illumination
- Extremely small dimensions
- Aseptic
- High security
- Easy installation
- CIP and SIP cleaning possible

Light fitting series EdelEx (LED) STERI-LINE (for use in hazardous areas):

Supply / power: *Halogene version (EdelEx STERI-LINE 5 / 10 / 20 dH):*
5 or 10 W in 24, 36, 42, 115, 230, 240 V AC with integrated transformer or 12 V AC / DC without integrated transformer
20 W in 12 or 24 V AC / DC without integrated transformer
LED version (EdelEx STERI-LINE d LED):
2 W in 24 V AC / DC without integrated transformer

Housing: Stainless steel
Protection mode: IP67, dust tight and protected against the effects of temporary immersion to EN 60529 / DIN VDE 0470 part 1
Ignition protection type: Ex d IIC Gb and Ex t IIIC Db IP67 to EN 60079-0 / 60079-1 / 60079-31 IIC / IIIC
Explosion groups: IIC / IIIC
Temperature classes G / D: T4 / T130°C (10 and 20 W), T6 / T80°C (5 W and EdelEx d LED)
 $T_a = -20^\circ\text{C} / +40^\circ\text{C}$ (T_a up to $+60^\circ\text{C}$ on request)
ATEX: Ex II 2 G + D

For more technical details see data sheet EdelEx 5 dH / 10 dH / 20 dH / EdelEx d LED

Metal fused sightglass flange:

Approvals:

TÜV-approval to the pressure vessel guideline as part of a pressure vessel (for material duplex stainless steel 1.4462)

Technical data:

- Test base: DGRL 97 / 23 / EG, AD 2000 standards, DIN 7079-1 May 1999
- Materials to VdTÜV specifications and the respective DIN/EN standards
- Glass quality: Borosilicate glass to DIN 7080

Certificates:

- To be supplied against extra charge to DIN EN 10204

Operating conditions:

- Pressure: -1 to 16 bar
- Temperatures:
Ring materials: 1.4462: -30°C to +280°C
2.4602 / 2.4605 / 2.4610: -60°C to +300°C

Dimensions:

DN*	PN	D	K	S	d1	d2	d3	Number of holes	O-Ring**	Spring washer**
50	16	165	125	21	38	66	18	4	58,74 x 3,53	31,5/16,3x1,25
65	16	185	145	23	38	86	18	4	78,97 x 3,53	31,5/16,3x1,25

* Larger nominal diameters on request

** Not contained in our delivery

上海三盛热能技术有限公司

Shanghai Sansheng ThermalTech Co., Ltd.

地址: 上海市徐汇区漕宝路 70 号光大会展中心 C 座 2501 室 / 200235

电话(Tel): 021-54482938 64326951 64326952 传真 (Fax): 021-54481373

网址: <http://www.sansheng-sh.com>

E-mail: sales@sansheng-sh.com