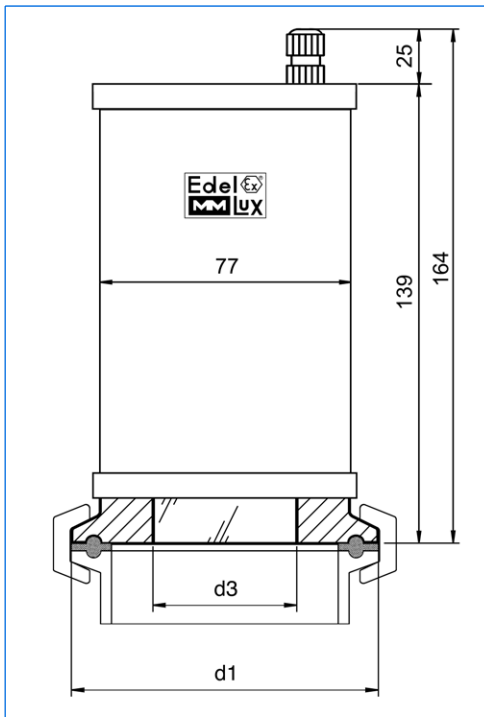


Hazardous sightglass light fittings from stainless steel

Series EdelEx 5 / 10 / 20 dH / EdelEx d LED for metal fused sightglasses for Triclamp fittings series metaClamp®



Sightglass light fitting, type EdelEx STERI-LINE 20 dH, 24 V, 20 W, Ex d IIC T4 Gb, Ex t IIIC T130°C Db IP67, Ex II 2 G + D, on metal fused sightglass, DN 100



Dimensions with mounted sightglass light fitting type EdelEx STERI-LINE

All dimensions in mm. Subject to changes without preliminary notice.

Application:

On metal fused sightglasses for Triclamp fittings to DIN 32676 / ISO 2852 for the optimal illumination of small and pilot reactors as well as vessels for sterile and aseptic applications, mainly in the pharmaceutical, biotechnological, cosmetic and food processing industries. On demand also available for mounting on metal fused sightglasses for Triclamp fittings in aseptic version to DIN 11864-3.

Advantages:

- Brilliant and glare free illumination
- Extremely small dimensions
- For sterile applications
- High security
- Easy installation

Light fitting series EdelEx (LED) STERI-LINE (for use in hazardous areas):

Supply / power: *Halogene version (EdelEx STERI-LINE 5 / 10 / 20 dH):*
5 or 10 W in 24, 36, 42, 115, 230, 240 VAC with integrated transformer
or 12 V AC / DC without integrated transformer
20 W in 12 or 24 V AC / DC without integrated transformer
LED version (EdelEx STERI-LINE d LED):
2 W in 24 V AC / DC without integrated transformer

Housing: Stainless steel
Protection mode: IP67, dust tight and protected against the effects of temporary immersion to EN 60529 / DIN VDE 0470 part 1

Ignition protection type: Ex d IIC Gb and Ex t IIIC Db IP67 to EN 60079-0 / 60079-1 / 60079-31
Explosion groups: IIC / IIIC
Temperature classes G / D: T4 / T130°C (10 and 20 W), T6 / T80°C (5 W and EdelEx d LED)
T_a = - 20°C / + 40°C (T_a up to + 60°C on request)

ATEX: Ex II 2 G + D

For more technical details see data sheet EdelEx 5 dH / 10 dH / 20 dH / EdelEx d LED

Metal fused sightglass:

Approvals:

A3 Standard for food processing

Technical data:

- Test base: DGRL 97 / 23 / EG, AD 2000 standards, DIN 7079-1 May 1999
- Materials to VdTÜV specifications and the respective DIN/EN standards
- Glass quality: Borosilicate glass to DIN 7080

Certificates:

- To be supplied against extra charge to DIN EN 10204

Operating conditions:

- Pressure: -1 to 6 / 10 / 16 bar (see table)

Temperatures:

Ring materials:	1.4462:	-30°C to +280°C
	2.4602:	-60°C to +300°C
	2.4610:	-60°C to +300°C

Dimensions:

Nominal diameter (DN)		d1	d3	Max. operating pressure (bar)
(mm)	(inch)			
25 / 32 / 40	1", 1½"	50,5	25	16
50	2"	64	30	16
-	2½"	77,5	34	16
65	3"	91	35	10
80	3½"	106	35	10
100	4"	119	35	10

上海三盛热能技术有限公司

Shanghai Sansheng ThermalTech Co., Ltd.

地址: 上海市徐汇区漕宝路 70 号光大会展中心 C 座 2501 室 / 200235

电话(Tel): 021-54482938 64326951 64326952 传真(Fax): 021-54481373

网址: [Http://www.sansheng-sh.com](http://www.sansheng-sh.com)

E-mail: sales@sansheng-sh.com