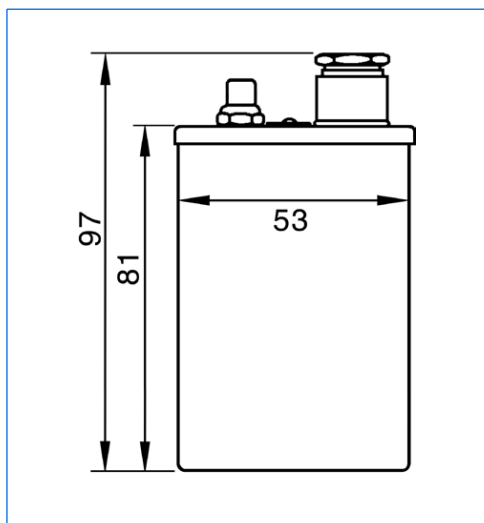


Sightglass light fittings

in stainless steel for sterile applications in safe areas, series BKVLR A / BKVLR A LED, for mounting onto metal fused sightglasses



Sightglass light fitting type BKVLR 20 HDA, 20 W, 24 V, with built-in momentary push-button "D", on metal fused sightglass for aseptic flange connections to DIN 11864-2, DN 50



Dimensions

Branch office / exclusive agent:

All dimensions in mm. Subject to changes without preliminary notice.

The miniature sightglass light fittings BKVLR A / BKVLR A LED of the series STERI-LINE **entirely in stainless steel** offer the following main features:

- Very interesting prices due to high series production
- Only **one** size for use on different sightglass diameters
- **Brilliant and dazzle free illumination**, even of difficult media
- **Extremely small dimensions providing high lighting power**
- Quick change of the light source **without** necessity to demount the installed luminaire!

The series BKVLR A LED additionally offers the following advantages:

- State-of-the-art LED technology
- Insensitive to vibrations
- Suitable for continuous operation
- **Cold light outlet**
- **Very long life span** (up to approximately 20'000 - 50'000 operating hours)

Application:

On metal fused sightglasses and flanges (see the respective data sheet), mainly in the pharmaceutical, biotechnological and food processing industries.

Operating conditions:

Independent of internal vessel pressure and vacuum.

Construction:

Housing **in stainless steel**. Cable gland Pg 9, vertical. On request with rectangular cable gland ("K2"). Built-in reflector (series BKVLR A). Built-in push-button for momentary operation "D" (types BKVLR A 20/50 / BKVLR A LED also available **without**, on request). The light fitting is built to be mounted directly onto the collar of a sightglass fitted with the respective adapter. The sealing towards the sightglass is guaranteed by an O-ring being part of the adapter piece.

Technical data:

Type	BKVLR 20 HDA ¹	BKVLR 50 HDA ¹	BKVLR 100 HDA	BKVLR DA LED ¹
Power	20 W	50 W	100 W	Ca. 2 W
Terminal voltage ²	24 V AC / DC ³	24 V AC / DC ³	24 V AC / DC	24 V AC / DC
Maximum current	1,7 A	4,2 A	4,2 A	0,1 A
Light source	Halogene, socket G4	Halogene, socket GY 6.35	Halogene, socket GY 6.35	Diodes
Weight	0,30 kg	0,30 kg	0,30 kg	0,30 kg

¹ For the version **without** push-button, the correct type designation **omits** the "D".

² Transformers with 24 V secondary voltage in open design (IP 00) for mounting into control panels or switch boards as well as in closed version (IP 65) may be supplied for different primary voltages and power capacities.

³ Also available in 12 V AC / DC.

Enclosure protection degree:

IP 65, dust and spray water tight, to EN 60529 / DIN VDE 0470 part 1.

Mounting:

The light fitting is put onto the adapter ring of the respective sightglass and fixed by means of a hexagonal socket cap screw.

Important remarks:

Please indicate in case of order type and size (DN) of the sightglass on which the luminaire has to be mounted.

In case of repeated use of the series BKVLR A within a short period, the temperature raise of the housing has to be observed!



上海三盛热能技术有限公司 Shanghai Sansheng ThermalTech Co.,Ltd.

地址: 上海市徐汇区漕宝路 70 号光大会展中心 C 座 2501 室 / 200235

电话(Tel): 021-54482938 64326951 64326952 传真(Fax): 021-54481373

网址: <http://www.sansheng-sh.com>

E-mail: sales@sansheng-sh.com