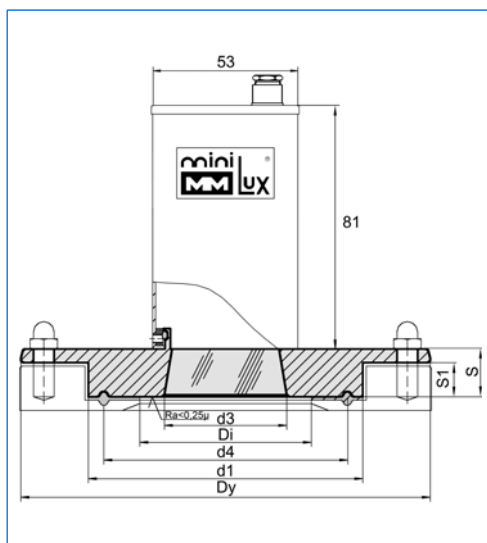


Sightglass light fittings from stainless steel

Series BKVLR A / BKVLR A LED for metal fused sightglasses for NA-Connect™-connections



Light fitting miniLUX STERI-LINE, type BKVLR DA LED, ca. 2 W, 24 V, mounted on metal fused sightglass NA-Connect™, DN 50



Dimensions with mounted light fitting

Branch office / exclusive agent:

Application:

On metal fused sightglasses for NA-Connect™-connections for the optimal illumination of small and pilot reactors as well as vessels for sterile and aseptic applications, mainly in the pharmaceutical, biotechnological, cosmetic and food processing industries.

Advantages:

- Brilliant and glare free illumination
- Extremely small dimensions
- High security
- Easy installation
- For sterile applications
- CIP cleaning possible

The series BKVLR A LED additionally offers the following advantages:

- State-of-the-art LED technology
- Suitable for continuous operation
- Cold light outlet
- Very long life span (up to approximately 20'000 - 50'000 operating hours)

Light fitting series miniLUX STERI-LINE (for safe areas only):

Supply: Alternative or direct current (AC / DC)
 24 V (Standard), 12 V (Option for the types BKVLR A 20 / 50)
 Power: 20, 50, 100 W (BKVLR A), ca. 2 W (BKVLR A LED)
 Housing: Stainless steel
 Light source: Halogen (BKVLR A) / Diodes (BKVLR A LED)
 Protection mode: IP 65, dust and spray water tight to EN 60529 / DIN VDE 0470 part 1

For more technical details see data sheet miniLUX STERI-LINE, series BKVLR A / BKVLR A LED

Metal fused sightglass:

Technical data:

- Test base: DGRL 97 / 23 / EG, AD 2000 standards, DIN 7079-1 May 1999
- Materials to VdTÜV specifications and the respective DIN/EN standards
- Glass quality: Borosilicate glass to DIN 7080

Certificates:

- To be supplied against extra charge to DIN EN 10204

Operating conditions:

- Temperatures: Ring materials: 1.4462: -30 °C to +280 °C
 2.4602: -60 °C to +300 °C
 2.4610: -60 °C to +300 °C

NA-Connect™:

Materials welding flange: 316 L / 1.4435
 Nominal pressure: 7 bar (PN 7)
 Nominal temperature: 150 °C

Dimensions:

Nominal diameter		NA-Connect welding flange		d1	d3	d4	S1	S	Dy	Di
Inch	DN	DIN	Tube OD							
1" / 1½"	25 / 32 / 40	NAC-DIN-40	NAC-OD-1½"	50,5	30	43,5	7	13	85	35,5
2"	50	NAC-DIN-50	NAC-OD-2"	64,0	35	56,5	8	14	100	48,5
2½"	-	-	NAC-OD-2½"	77,5	35	70,5	8	15	112	60,2
3"	65	NAC-DIN-65	NAC-OD-3"	91,0	35	83,5	8	18	131	72,0

All dimensions in mm. Subject to changes without preliminary notice.



上海三盛热能技术有限公司

Shanghai Sansheng ThermalTech Co., Ltd.

地址: 上海市徐汇区漕宝路 70 号光大会展中心 C 座 2501 室 / 200235

电话(Tel): 021-54482938 64326951 64326952 传真(Fax): 021-54481373

网址: <http://www.sansheng-sh.com>

E-mail: sales@sansheng-sh.com