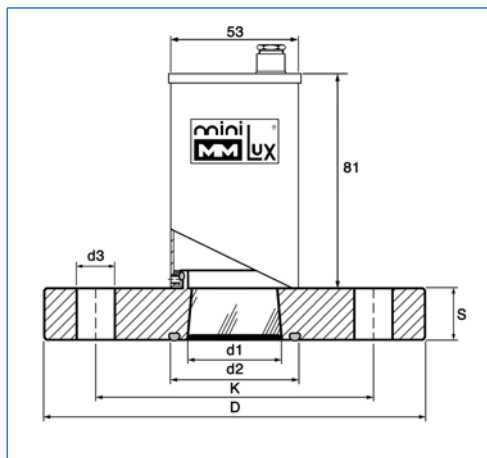


Sightglass light fittings from stainless steel for sterile applications

Series BKVLR A / BKVLR A LED on metal fused sightglass flanges for sterile processes



Light fitting miniLUX STERI-LINE, type BKVLR 20 HDA, 20 W, 24 V, mounted on a metal fused sightglass flange for sterile applications, DN 50



Dimensions

Branch office / exclusive agent:

Application:

On metal fused sightglass flanges for mounting onto

- base flanges to DIN 28117 or similar
- weldnecks with flat face

for the optimal illumination of small and pilot reactors as well as vessels for sterile and aseptic applications, mainly in the pharmaceutical, biotechnological, cosmetic and food processing industries.

IMPORTANT: Only for use with parallel flat face flanges without seal recess. We recommend the use of Belleville spring washers, 2 pcs. for each connection hole.

Advantages:

- Brilliant and glare free illumination
- Extremely small dimensions
- Aseptic
- High security
- Easy installation
- CIP and SIP cleaning possible

The series BKVLR A LED additionally offers the following advantages:

- State-of-the-art LED technology
- Suitable for continuous operation
- Cold light outlet
- Very long life span (up to approximately 20'000 - 50'000 operating hours)

Light fitting series miniLUX STERI-LINE (for safe areas only):

Supply: Alternative or direct current (AC / DC)
 24 V (Standard), 12 V (Option for the types BKVLR A 20 / 50)
 Power: 20, 50, 100 W (BKVLR A), ca. 2 W (BKVLR A LED)
 Housing: Stainless steel
 Light source: Halogen (BKVLR A) / Diodes (BKVLR A LED)
 Protection mode: IP 65, dust and spray water tight to EN 60529 / DIN VDE 0470 part 1

For more technical details see data sheet miniLUX STERI-LINE, series BKVLR A / BKVLR A LED

Metal fused sightglass flange:

Technical data:

- Test base: DGRL 97 / 23 / EG, AD 2000 standards, DIN 7079-1 May 1999
- Materials to VdTÜV specifications and the respective DIN/EN standards
- Glass quality: Borosilicate glass to DIN 7080

Certificates:

- To be supplied against extra charge to DIN EN 10204

Operating conditions:

- Pressure: -1 to 16 bar
- Temperatures: Ring materials:

1.4462:	-30 °C to +280 °C
2.4602:	-60 °C to +300 °C
2.4605:	-60 °C to +300 °C
2.4610:	-60 °C to +300 °C

Dimensions:

DN*	PN	D	K	S	d1	d2	d3	Number of holes	O-Ring**	Spring washer**
50	16	165	125	21	38	66	18	4	58,74 x 3,53	31,5/16,3x1,25
65	16	185	145	23	38	86	18	4	78,97 x 3,53	31,5/16,3x1,25

* Larger nominal diameters on request

** Not contained in our delivery

All dimensions in mm. Subject to changes without preliminary notice.



上海三盛热能技术有限公司

Shanghai Sansheng ThermalTech Co., Ltd.

地址: 上海市徐汇区漕宝路 70 号光大会展中心 C 座 2501 室 / 200235

电话(Tel): 021-54482938 64326951 64326952 传真 (Fax): 021-54481373

网址: <http://www.sansheng-sh.com>

E-mail: sales@sansheng-sh.com