

Sightglass light fittings from stainless steel

Series BKVLR A / BKVLR A LED for metal fused sightglasses for Triclamp fittings series metaClamp®



Light fitting miniLUX STERI-LINE, type BKVLR 20 HDA, 20 W, 24 V, mounted on metal fused sightglass, DN 50

Application:

On metal fused sightglasses for Triclamp fittings to DIN 32676 / ISO 2852 for the optimal illumination of small and pilot reactors as well as vessels for sterile and aseptic applications, mainly in the pharmaceutical, biotechnological, cosmetic and food processing industries. On demand also available for mounting on metal fused sightglasses for Triclamp fittings in aseptic version to DIN 11864-3.

Advantages:

- Brilliant and glare free illumination
- Extremely small dimensions
- For sterile applications
- High security
- Easy installation

The series BKVLR A LED additionally offers the following advantages:

- State-of-the-art LED technology
- Suitable for continuous operation
- Cold light outlet
- Very long life span (up to approximately 20'000 - 50'000 operating hours)

Light fitting series miniLUX STERI-LINE (for safe areas only):

Supply: Alternative or direct current (AC / DC)
 24 V (Standard), 12 V (Option for the types BKVLR A 20 / 50)

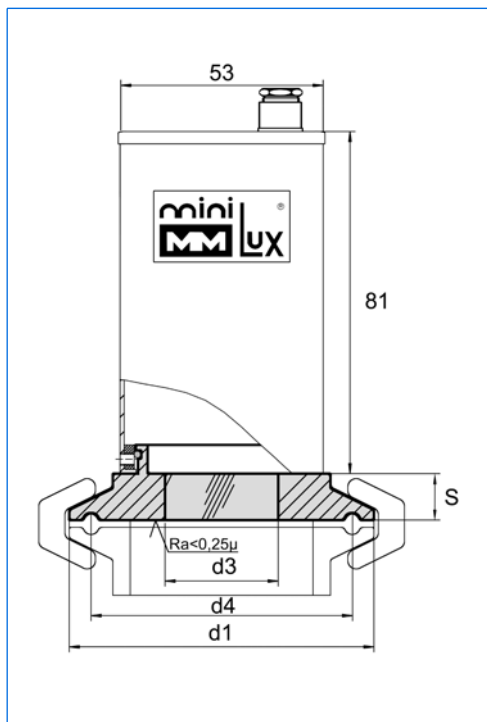
Power: 20, 50, 100 W (BKVLR A), ca. 2 W (BKVLR A LED)

Housing: Stainless steel

Light source: Halogen (BKVLR A) / Diodes (BKVLR A LED)

Protection mode: IP 65, dust and spray water tight to EN 60529 / DIN VDE 0470 part 1

For more technical details see data sheet miniLUX STERI-LINE, series BKVLR A / BKVLR A LED



Dimensions with mounted light fitting

All dimensions in mm. Subject to changes without preliminary notice.

Metal fused sightglass:

Approvals:

A3 Standard for food processing

Technical data:

- Test base: DGRL 97 / 23 / EG, AD 2000 standards, DIN 7079-1 May 1999
- Materials to VdTÜV specifications and the respective DIN/EN standards
- Glass quality: Borosilicate glass to DIN 7080

Certificates:

- To be supplied against extra charge to DIN EN 10204

Operating conditions:

- Pressure: -1 to 10 / 16 bar (see table)
- Temperatures: Ring materials:

1.4462:	-30 °C to +280 °C
2.4602:	-60 °C to +300 °C
2.4610:	-60 °C to +300 °C

Dimensions:

Nominal diameter			d1	d3	d4	S	Max. operating pressure (bar)
DN to DIN	DN to ISO	Inch					
25/32/40	20/25	1", 1½"	50,5	25	43,5	12	16
50	40	2"	64	30	56,5	12	16
-	50	2½"	77,5	34	70,5	12	10
65	65	3"	91	35	83,5	12	10
80	-	3½"	106	35	97,0	12	10
100	-	4"	119	35	110,0	12	10