

# Sightglass light fittings completely in stainless steel for use in hazardous areas

## Series EdelEx G20 dH / 50 dH



Sightglass light fitting type EdelEx 50 dH Sch K2, 50 W, 230 V, Ex d IIC T4, Ex tD A21 IP65 T130°C, Ex II 2 G + D, mounted on circular sightglass to DIN 28120, PN 10, DN 150.



Sightglass light fitting type EdelEx G20 dH R 80 K1, 20 W, 230 V, Ex d IIC T5, Ex tD A21 IP65 T95°C, Ex II 2 G + D, with intermediate flange collar fixation "R 80" mounted on a screwed sightglass similar to DIN 11851, PN 6, DN 80.

With the series EdelEx G20 dH / 50 dH, MAX MÜLLER AG again demonstrates its lead in the field of sightglass light fittings. We are pleased to present the powerful G20 / 50 series. With the combination of advanced technological ideas, no compromise design and the reputed MAX MÜLLER quality, the series EdelEx offers to the fabricators and users of all stainless steel process equipment the following important advantages:

#### For the purchasing department:

- **Highly competitive prices** due to compact value-engineered design and highly efficient manufacturing techniques
- **Short lead times**

#### For the design or plant engineer:

- Versatile design enabling the light fittings to be used either as a combination "view and light through **one** assembly", or for separate mounting in a two port system from DN 80 upwards depending on the type of sightglass
- **Easy installation** with two fixing systems (flange collar "R" or tilting hinge "Sch"), meeting all applications on:
  - Circular sightglasses to DIN 28120/28121 or similar
  - Screwed sightglasses similar to DIN 11851
  - Pipeline flow indicators
- **Brilliant illumination** due to specially designed high efficiency reflector and wattages up to 50 W! (See overleaf)
- Light units may be **installed without restriction in any position**
- **Particularly designed for the powerful lighting out of stainless steel vessels, reactors, mixers, fermentors, containers and related process equipment in hazardous areas** in the pharmaceutical, bio-chemical, chemical, cosmetic and food processing industries
- **For sterile and "clean rooms" applications**
- Certified to ATEX in the groups G (zones 1 and 2) and D (zones 21 and 22)
- Temperature class up to T6, depending on power (See overleaf)

#### For the maintenance electrician:

- Connection to different supply voltages (See overleaf)
- **Easy replacement** of bulbs
- Halogen bulbs are **industry standards available** from local suppliers

#### Operating conditions:

**Independent** of internal vessel pressure or vacuum.

#### Electrical data:

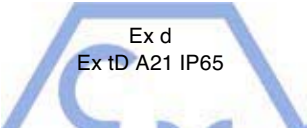

Supply: AC or DC, dependent on the type of light fitting  
 (Note: With integrated transformer AC **only**).  
 Terminal voltages: See overleaf

#### Enclosure protection degree:

IP 65, dust and spray water tight.

#### Construction and materials:

Housing and fixation elements **in stainless steel**. Cable gland M20 x 1,5, in vertical position, type designation "K1", (standard delivery) or in horizontal position (designation "K2"). Connection terminals up to 2,5 mm<sup>2</sup>. Additional earth terminal 4 mm<sup>2</sup> external to the housing. Built-in reflector and halogen bulb, according to your needs to produce a wide ("flood" version) or concentrated ("spot" version) beam of light. Standard version: "Spot".

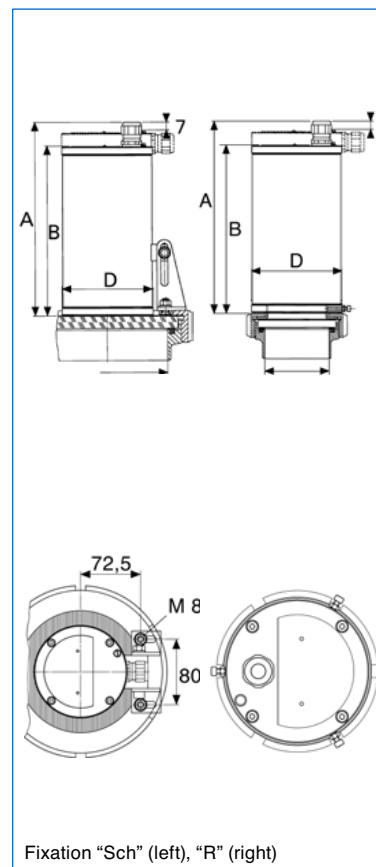
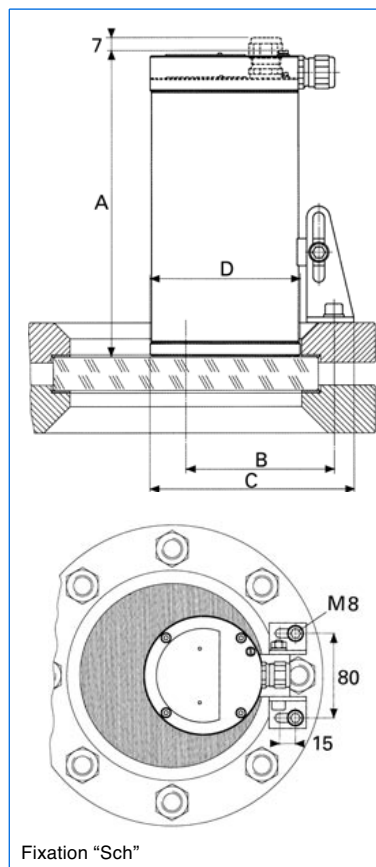
Type designation	EdelEx G20 dH	EdelEx G20 dH	EdelEx 50 dH	EdelEx 50 dH
Nominal rating (W)	20	20	50	50
Terminal voltage (V)	12, 24	24, 36 42, 115 230, 240	12, 24	24, 36 42, 115 230, 240
Integrated transformer		•		•
Bulb	Halogen			
Socket	G4	G4	GY 6.35	GY 6.35
Weight <sup>1)</sup> (kg)	4,5	5,45	4,5	5,45
Ignition protection type to EN 60079-0 / 60079-1 EN 61241-0 / 61241-1				
Explosion group				
Temperature class G / D <sup>2)</sup>	T6 / T80°C	T5 / T95°C	T4 / T130°C	T4 / T130°C
ATEX	Ex II 2 G + D			

<sup>1)</sup> The indicated weight only refers to the light fitting. Version "K2": +1,3 kg. Weight of fixations: "Sch": 0,25 kg, "R" 80: 0,12 kg, "R" 100: 0,19 kg, "R" 125: 0,3 kg.

<sup>2)</sup> T<sub>a</sub> = -20°C / +40°C (T<sub>a</sub> up to +60°C on request)

### Mounting:

- On circular sightglasses to or similar to DIN 28120/28121:  
DN 80 – DN 200: With tilting hinge "Sch"
- On screwed sightglasses similar to DIN 11851:  
DN 80 – DN 125: With intermediate flange collar "R" in AISI 304 (DN size should be specified on ordering)  
DN 150: With tilting hinge "Sch" onto the grooved collar nut
- On pipeline flow indicators:  
With tilting hinge "Sch" or specific customer adaption



### Sightglass to DIN 28120

DN	A*	A**	B	C	D
80	217	232	78	153	113
100	217	232	86	153	113
125	217	232	97	153	113
150	217	232	112	153	113
200	217	232	141	153	113

\* Type EdelEx G20 / 50 dH without transformer ("K2" version. "K1" +7 mm)

\*\* Type EdelEx 50 dH 24–240 V with integrated transformer ("K2" version. "K1" +7 mm)

### Sightglass similar to DIN 11851

DN	A*	A**	B*	B**	D
80***	224	239	197	212	113
100***	224	239	197	212	113
125***	224	239	197	212	113
150****	224	239	197	212	113

\*\*\* With fixation "R"

\*\*\*\* With fixation "Sch"

Do you wish for more information about our wide range of light fittings for use in hazardous and safe areas, about our range of circular sightglasses to DIN 28120/28121, screwed sightglasses similar to DIN 11851, rectangular or D-ended sightglasses, pipeline flow indicators, centrally or sideways operated wipers, hinged sightglasses, spraying devices or our complete sight and lightglass units VETROLUX®? Are you interested in other types, special versions or different protection degrees? If yes, please contact us, our branch office or our local agents – it is our business! You will find the necessary indications about our sales network on the Internet.

Branch office / exclusive agent:

All dimensions in mm.

Subject to changes without preliminary notice.



上海三盛热能技术有限公司 Shanghai Sansheng ThermalTech Co.,Ltd.

地址: 上海市徐汇区漕宝路 70 号光大会展中心 C 座 2501 室 / 200235

电话(Tel): 021-54482938 64326951 64326952 传真 (Fax): 021-54481373

网址: <http://www.sansheng-sh.com>

E-mail: [sales@sansheng-sh.com](mailto:sales@sansheng-sh.com)