

Sightglass light fittings

Series BKVLR in stainless steel for use in safe areas



Sightglass light fitting type BKVLR 20 HDSch, 20 W, 24 V, with built-in momentary push-button "D" mounted with tilting hinge "Sch" on sightglass to DIN 28120, DN 100, PN 10, for application "view and light through one assembly".



Sightglass light fitting type BKVLR 50 HDSch1, 50 W, 24 V, with built-in momentary push-button "D" mounted with tilting hinge "Sch1" on screwed sightglass similar to DIN 11851, DN 100, PN 6, for application "view and light through one assembly".

The miniature sightglass light fittings of the series BKVLR **entirely in stainless steel** offer the following main features and advantages:

- Very interesting prices due to high series production.
- Only **one** size for use on different sightglass diameters.
- **Easiest mounting** by means of a tilting hinge "Sch"/"Sch 1".
- **Brilliant and dazzle free illumination**, even of difficult media.
- **Extremely small** dimensions providing **high lighting power**.
- Quick change of bulbs **without** necessity to demount the bolted-on luminaire!
- For use in version "view **and** light through **one** assembly" as well as for the two port system.

Application:

On sightglasses to DIN 28120 **from DN 25**
 On sightglasses to DIN 28121 **from DN 40**
 On screwed sightglasses similar to DIN 11851 **from DN 50**
 On pipeline flow indicators (in-line sightglasses)

Operating conditions:

Independent of internal vessel pressure and vacuum.

Construction:

Housing and fixation elements in **stainless steel**. Cable gland Pg 9, vertical. On request with rectangular cable gland ("K2"). Built-in reflector. Bulb socket for halogen bulbs of 20, 50 or 100 Watts. Built-in, sealed push-button for momentary operation "D" (types BKVLR 20/50 also available **without**, on request). Glass disc resistant against high temperatures. Gaskets resistant against corrosion and alteration.

Electrical data:

Supply: AC or DC
 Terminal voltage: 24 V*
 Power: 20, 50 or 100 W (dependent on type)
 Maximum current: 4,2 A

* Transformers with 24 V secondary voltage in open design (IP 00) for mounting into control panels or switch boards as well as in closed version (IP 65) may be supplied for different primary voltages and power capacities.

Bulb sockets:

Power 20 W: 2 pins socket G4
 Power 50 / 100 W: 2 pins socket GY 6.35

Enclosure protection degree:

IP 65, dust and spray water tight.

Admitted for use in food processing industries.

Survey on standard types:

Type	BKVLR 20 HD*	BKVLR 50 HD*	BKVLR 100 HD
Nominal rating	20 W	50 W	100 W
Terminal voltage**	24 V	24 V	24 V
Bulb	Halogen	Halogen	Halogen
Weight***	0,30 kg	0,30 kg	0,30 kg

* For the version without push-button, the correct type designation omits the "D".

** Types with 20 and 50 W also available in 12 V.

*** Without fixation. Fixations "Sch" / "Sch1" 0,03 kg each.

Mounting:

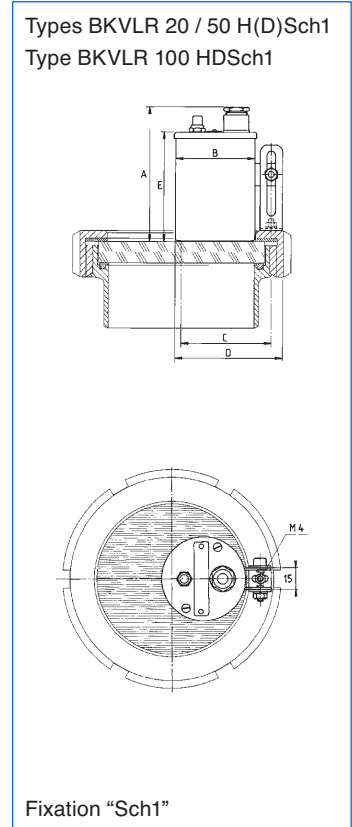
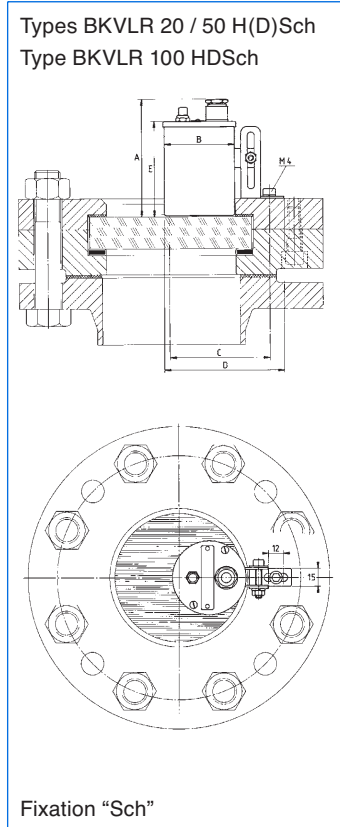
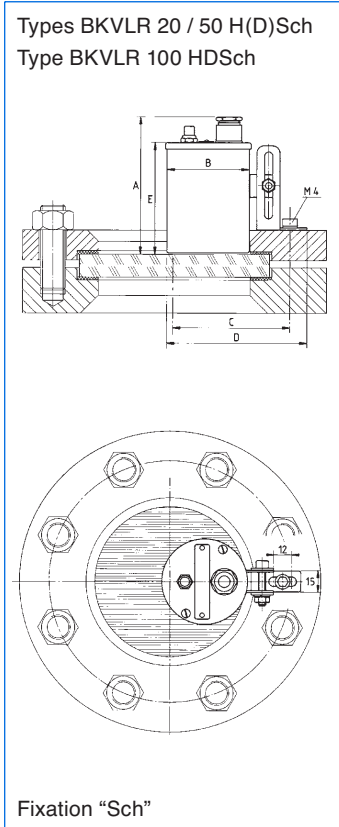
The luminaire is normally mounted by means of its fixation elements, suitably slotted to take a fixing bolt M4. This bolt fits a drilled and tapped hole in the cover flange of a sightglass to DIN 28120 / 28121 or similar as well as in the grooved collar nut of a screwed sightglass similar to DIN 11851. The position of the drilled holes may be taken from the drawings on the back of this leaflet.

Important remarks:

Please indicate in case of order type and size (DN) of the sightglass on which the luminaire has to be mounted.

In case of repeated use within a short period, the temperature raise of the housing has to be observed!

The following dimensions are valid for the types BKVLR 20 / 50 H(D) Sch / Sch1, BKVLR 100 HD Sch / Sch1:



**Sightglass to
DIN 28120**

DN	A	B	C	D	E
50	90	53	64	90	73
80	90	53	74	90	73
100	90	53	87	90	73
125	90	53	100	90	73
150	90	53	112	90	73
200	90	53	137	90	73

**Sightglass to
DIN 28121**

DN	A	B	C	D	E
50	90	53	56	90	73
80	90	53	64	90	73
100	90	53	74	90	73
125	90	53	87	90	73
150	90	53	87	90	73
200	90	53	100	90	73

**Screwed sightglass similar to
DIN 11851**

DN	A	B	C	D	E
50	90	53	33	72	73
65	90	53	39	72	73
80	90	53	47	72	73
100	90	53	57	72	73
125	90	53	69	72	73
150	90	53	82	72	73

Branch office / exclusive agent:

Do you wish for more information about our wide range of light fittings for use in hazardous and safe areas, about our range of circular sightglasses to DIN 28120/28121, screwed sightglasses similar to DIN 11851, rectangular or D-ended sightglasses, pipeline flow indicators, centrally or sideways operated wipers, hinged sightglasses, spraying devices or our complete sight and lightglass units VETROLUX®? Are you interested in other types, special versions or different protection degrees? If yes, please contact us, our branch office or our local agents – it is our business! You will find the necessary indications about our sales network on the Internet.

All dimensions in mm. Subject to changes without preliminary notice.



上海三盛热能技术有限公司 Shanghai Sansheng ThermalTech Co.,Ltd.

地址: 上海市徐汇区漕宝路 70 号光大会展中心 C 座 2501 室 / 200235

电话(Tel): 021-54482938 64326951 64326952 传真 (Fax): 021-54481373

网址: <http://www.sansheng-sh.com>

E-mail: sales@sansheng-sh.com