

Circular sightglass fittings to DIN 28121 (PN 10, 25)



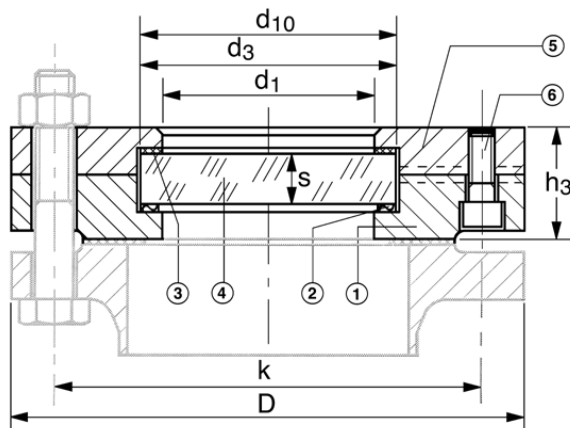
Dimensions Assembly and construction materials Mounting

Our circular sightglass fittings to be mounted directly onto a welding flange, pad or similar correspond in their construction and assembly to the dimensions and constructional guidelines of the DIN specification 28121. The sightglass fittings are completely premounted at manufacturer's works to form an integral, sealed, finished unit. The maximum operating temperature is limited to 200 °C. For higher operating temperatures, versions similar to DIN 28121 can be delivered on request, these with other seal and/or glass qualities.

The units may be used until -1 bar. For operating temperatures lower than -10 °C, please consult the descriptive sheet AD 2000 W 10.

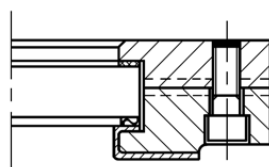
Nominal diameter (DN)	Nominal pressure (PN) (bar)	Viewing diameter		Glass disc		Flanges			Fixation bolts		Gaskets	
		d ₁	d ₂	d ₃	s	D	k	h ₃	Number	Size	d ₁	d ₁₀
40	10	48	43	63	10	150	110	36	4	M 16	48	65
	25				12	150	110	38	4	M 16		
50	10	65	60	80	12	165	125	38	4	M 16	65	82
	25				15	165	125	41	4	M 16		
80	10	80	75	100	15	200	160	46	8	M 16	80	102
	25				20	200	160	50	8	M 16		
100	10	100	95	125	15	220	180	46	8	M 16	100	127
	25				25	235	190	59	8	M 20		
125	10	125	120	150	20	250	210	54	8	M 16	125	152
	25				30	270	220	66	8	M 24		
150	10	125	120	150	20	285	240	54	8	M 20	125	152
	25				30	300	250	66	8	M 24		
200	10	150	145	175	20	340	295	54	8	M 20	150	177
	25				30	360	310	66	12	M 24		

Version A Without protective coating of sealing face



The design shows the sealing face of form C

Version B
With protective coating of sealing face



Assembly and construction materials:

①	Base flange (Version A) Form C: Flat faced to DIN 2526 (Standard) Form F: Tongue to DIN 2512 Form V 13: Male socket to DIN 2513 Base flange (Version B) Base flange (Version E) On demand	Boilerplate H II to DIN 17155 Stainless steel 1.4571 (= AISI 316 Ti) to DIN 17440 Other materials on demand Boilerplate H II with coated sealing surface. (The maximum admitted temperature of the coating has to be respected) RSt 37-2, glass lined
②	Gasket product side	PTFE-covered ring gasket with internal support ring
③	Gasket cover side	KLINGERSil C 4400
④	Glass disc	Borosilicate to DIN 7080 (max. 280 °C)
⑤	Cover flange	Boilerplate H II to DIN 17155 Stainless steel 1.4541 (= AISI 321) Stainless steel 1.4571 (= AISI 316 L) Other materials on demand
⑥	Security tightening bolts	5.6 / 5.2, A4

Mounting:

By using the fixation bolts of which the number and size are indicated in the above table, the complete, premounted, tightened and sealed unit is fixed onto a welding flange, pad or similar.

Possible standard combinations of the CHEMLUX®, EdelLUX®, fibroLUX®, miniLUX® and metaLUX® light fittings with sightglass units to DIN 28120 / 28121



VETROLUX® illuminated sightglass unit, consisting of sightglass to DIN 28120, DN 150, PN 10, with mounted CHEMLUX® light fitting, type KEL 20 deH Sch B, 230 V, 20 W, Ex de IIC T4, Ex tD A21 IP65 T130°C, Ex II 2 G + D, with anti-dazzle shield "B", in version "view and light through one assembly"



VETROLUX® illuminated sightglass unit, consisting of sightglass to DIN 28120, DN 80, PN 10, with mounted CHEMLUX® light fitting, type F 20dHNsp, 24 V, 20 W, Ex d IIC T5, Ex tD A21 IP65 T95°C, Ex II 2 G + D

Branch office / exclusive agent:

The table below indicates the possible standard combinations of our light fitting series with the respective nominal diameters of sightglasses to DIN 28120 / 28121:

Nominal diameter (DN)			40	50	80	100	125	150	200
Sightglass to DIN 28120 (A)			A	A	A	A	A	A	A
Sightglass to DIN 28121 (B)			B	B	B	B	B	B	B
Series	Types	Fixation							
20	F 20 dH / L 20 deH R 50 deH / R 100 deH	... N		•	•	•	•		
		... Z				•	•	•	
		... Sch				•	•	•	•
100	100 deH	... N			•	•	•	•	•
		... Z					•	•	
		... Sch					•	•	•
KVL	KVL 20 H (D)	... Sch		•	•	•	•	•	•
	KVL 50 H (D)	... Sch		•	•	•	•	•	•
	KVL 100 HD	... Sch		•	•	•	•	•	•
KVL R / BKVL R	KVL R 20 H(D)/BKVL R 20 H(D)	... W/Sch	•	•	•	•	•	•	•
	KVL R 50 H(D)/BKVL R 50 H(D)	... W/Sch	•	•	•	•	•	•	•
	KVL R 100 HD/BKVL R 100 HD	... W/Sch	•	•	•	•	•	•	•
KLR	KLR 05 / 10 / 20 / 50 / 100	... Sch	•	•	•	•	•	•	•
HL	HL 50 H			•					
	HL 80 H				•				
	HL 100 H					•		•	
	HL 125 H						•		
	HL 150 H							•	•
F(L)KEL/ (L)KEL / KL	F(L)KEL 5, 10, 20, 50 dH (L)KEL 5, 10, 20, 50 deH	... W			•	•	•	•	•
	KL 5, 10, 20, 50, 100 H	... Sch	•	•	•	•	•	•	•
PEL / PL	PEL 20 deH / PEL 50 deH PL 20 H / PL 50 H / PL 100 H	... Sch					•	•	•
		... X1		•	•	•	•	•	•
		... X2					•	•	•
EdelEx	EdelEx 5 dH / 10 dH / 20 dH	... Sch	•	•	•	•	•	•	•
	EdelEx G 20 dH / 50 dH	... Sch			•	•	•	•	•
fibroLUX		... W2	•	•	•	•	•	•	•
		... W3	•	•	•	•	•	•	•

Do you wish for more information about our wide range of light fittings for use in hazardous or safe areas, about our range of circular sightglasses to DIN 28120/28121, screwed sightglasses similar to DIN 11851, rectangular or D-ended sightglasses, pipeline flow indicators, sideways or centrally operated wipers, hinged sightglasses, spraying devices or our complete sight and light-glass units VETROLUX®? Are you interested in other types, special versions or different protection degrees? If yes, please contact us, our branch office or our local agents – it is our business! You will find the necessary indications about our sales network on the Internet.

All dimensions in mm.

Subject to changes without preliminary notice.



上海三盛热能技术有限公司 Shanghai Sansheng ThermalTech Co.,Ltd.

地址: 上海市徐汇区漕宝路 70 号光大会展中心 C 座 2501 室 / 200235

电话(Tel): 021-54482938 64326951 64326952 传真(Fax): 021-54481373

网址: <http://www.sansheng-sh.com>

E-mail: sales@sansheng-sh.com