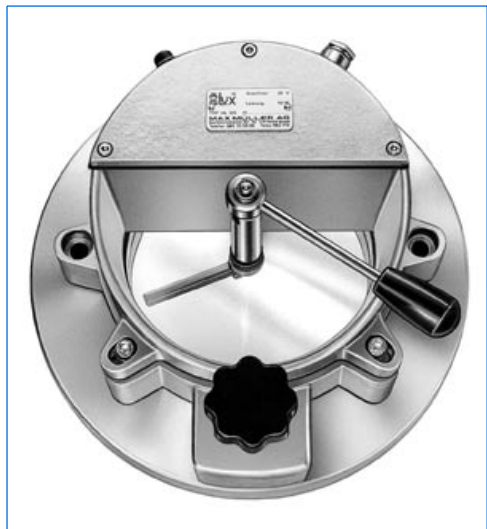
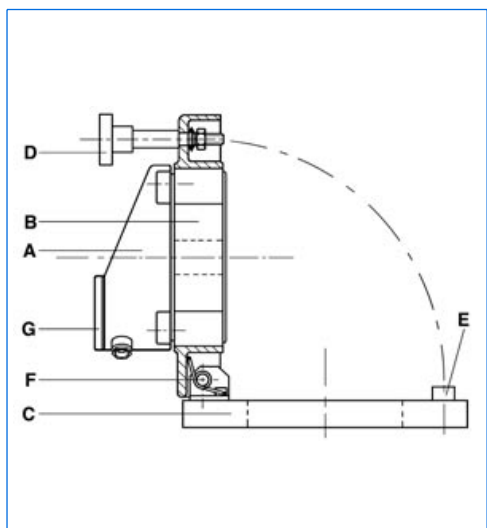


Hinged sightglasses with or without illumination series KSGB / KSG



Hinged illuminated sightglass type KSGB 125. Terminal voltage of built-on light fitting 24 V, nominal rating 50 or 100 watts. Built-in wiper, series W.



Typical assembly of a hinged illuminated sightglass series KSGB.

The hinged sightglasses of the series KSG / KSGB represent the combination of an illuminated / non illuminated sightglass with a mechanism for quick and easy opening and closing of the combined unit.

Application: Mainly where a chemical or physical process needs a quick addition of components (e.g. of a powder or a liquid) or where samples of the vessel contents have to be taken regularly or sporadically for control purposes. **The application of the standard version of the illuminated units is restricted to safe area use.**

Conditions of service:

Maximum pressure inside the vessel: Type KSG(B) 125: 1.0 bar
Type KSG(B) 200: 0.5 bar
Higher pressures on demand.

Vacuum

Maximum temperatures: 200 °C with glass disc of borosilicate (DIN 7080)
150 °C with glass disc of sodium silicate (DIN 8902)
Higher temperatures on demand.

With mounted metaLUX® light fitting with push-button, the temperature inside the connection box should not exceed 100 °C.

ATTENTION:

Never open under pressure!

Electrical characteristics: (For type KSGB with mounted light fitting)

Supply: AC or DC
Terminal voltage: 24 V (12 V possible)
Nominal rating: 50 / 100 W (see table overleaf)
Bulbs: Halogen, socket GY 6.35

Transformers in protection modes IP 00 or IP 65 for different primary voltages may be supplied on demand.

Enclosure protection degree: IP 65, dust and spray water tight

Mounting: The unit is supplied completely premounted. Before welding of the flange, the light fitting with the hinge mechanism have to be separated from it.

Assembly:

The picture left shows the typical construction elements:

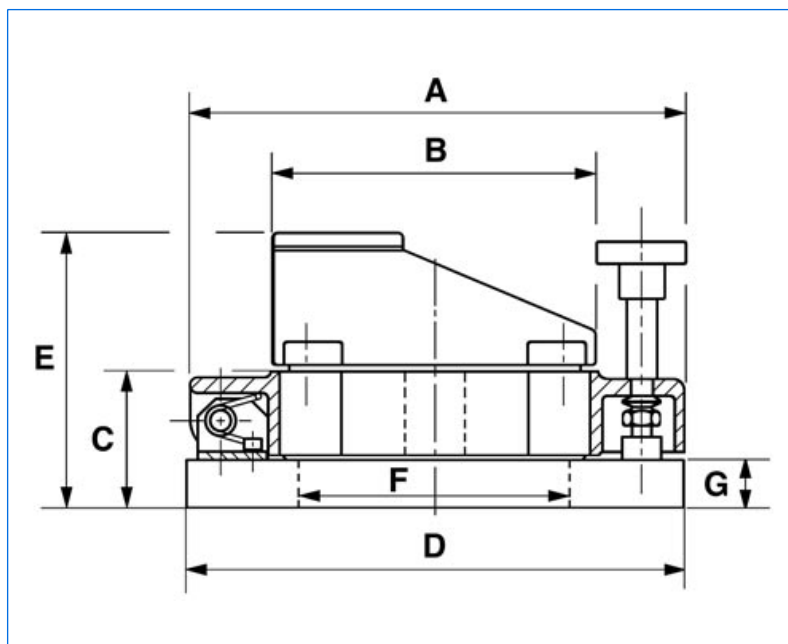
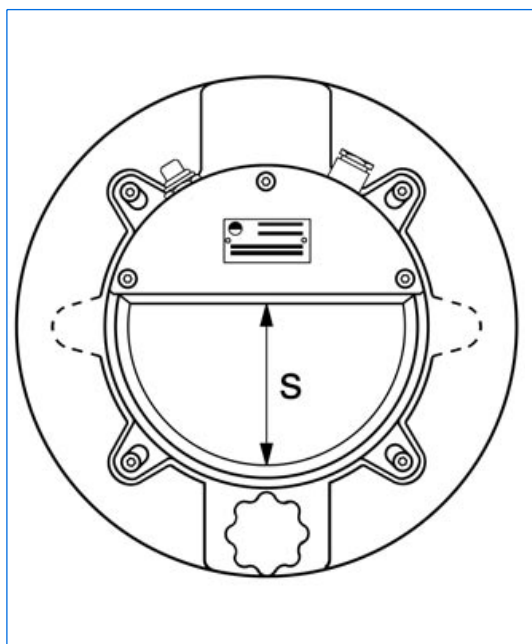
- A) Light fitting metaLUX®, series HL
- B) Light fitting holder
- C) Welding flange
- D) Closing bolt with grip head
- E) Closing head
- F) Tilting hinge
- G) Cover of the metaLUX® light fitting

Options:

- Wiper series W / WD (see separate data sheet)
- Delivery **without** light fitting. (Correct type designation is then KSG).
- Light fitting for use in hazardous areas
- Pieces in contact with the medium in stainless steel

Replacement of the bulb: The bulb may be changed under pressure or vacuum after opening of the cover G): After loosening of its socket, the bulb can be replaced.

Attention: Do only touch with a proper cloth!



Type		KSG(B) 125	KSG(B) 200
	A	248	333
	B	162	245
	C	70	80
	D	250	335
	E	140	175
	F	136	205
	G	25	25
	S	80	140
Terminal voltage	V	24 / 12	24 / 12
Nominal rating	W	50 / 100	50 / 100

Materials of construction:

- Light fitting / light fitting holder: Corrosion resistant cast aluminium alloy. (On demand painted RAL 9001).
- Welding flange: Carbon steel (RSt 37-2) or stainless steel 1.4571 (= AISI 316 Ti) (Standard). 1.4541 (=AISI 321) / 1.4301 (=AISI 304) or other materials on demand.
- Glass disc: Sodium silicate to DIN 8902 or Borosilicate to DIN 7080
- Sealings: Silicone (Standard) Viton, Perbunan
- Closing parts: Carbon steel, zinked and cast aluminium alloy
- Head of grip: Plastic

Do you wish for more information about our wide range of light fittings for use in hazardous and safe areas, about our range of circular sightglasses to DIN 28120/28121, screwed sightglasses similar to DIN 11851, rectangular or D-ended sightglasses, pipeline flow indicators, centrally or sideways operated wipers, hinged sightglasses, spraying devices or our complete sight and lightglass units VETROLUX®? Are you interested in other types, special versions or different protection degrees? If yes, please contact us, our branch office or our local agents – it is our business! You will find the necessary indications about our sales network on the Internet.

Branch office / exclusive agent:

All dimensions in mm.

Subject to changes without preliminary notice.



上海三盛热能技术有限公司 Shanghai Sansheng ThermalTech Co.,Ltd.

地址: 上海市徐汇区漕宝路 70 号光大会展中心 C 座 2501 室 / 200235

电话(Tel): 021-54482938 64326951 64326952 传真 (Fax): 021-54481373

网址: <http://www.sansheng-sh.com>

E-mail: sales@sansheng-sh.com