

standard design

- wetted material: 1.4571, optional: 1.4404
metal parts 1.4301
- with stainless steel blind hole nuts
- silicone seal (blue)
- with swivel feature
- neck height 120 mm, neck thickness 4 mm
- outlet diameter Ø 40 mm
- surface ungrinded, shot blasted, from size 600
ungrinded, pickled

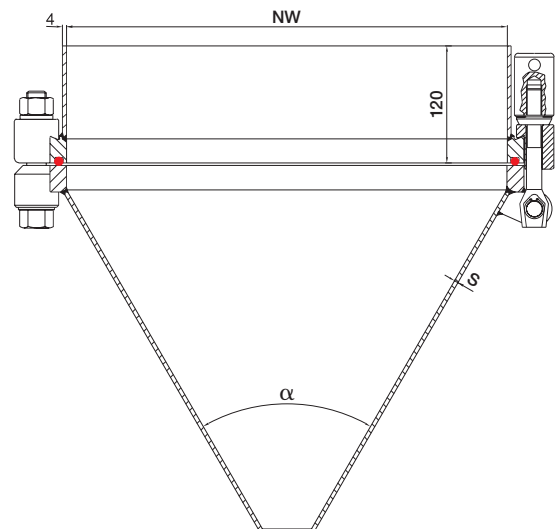
options

- materials: 1.4435 BN2, 1.4539, 1.4529, 1.4462, 1.4429, HC-22,
HC-276, HC-2000, etc.
- intermediate sizes available
- different opening angles available
- range of seals (page 14 – 15)
- surface finishes (shot blasted, pickled or grinded up to $Ra < 0,2 \mu m$)
- neck length up to 2000 mm, neck thickness up to 20 mm
- cover completely conical
- various handles: t-hole nuts, collar nuts etc. (page 23)
- different nozzle-outlets (page 22)
- various limit switches
- metal parts in different materials
- etc.

pressure cone cover

up to 6/-1bar overpressure

with approval acc. to PED 97/23/EG
with ASME-approval (optional)



article No.	size (NW)/ α	max. allowed working pressure in bar	max. allowed working temperature in ° C	number of screws M16	overall height	cone thickness S	weight in kg	price in EUR
230 060	300 / 60°	6	100	4	385	4	20	
230 090	300 / 90°	6	100	4	275	4	20	
240 060	400 / 60°	6	100	6	470	4	28	
240 090	400 / 90°	6	100	6	325	4	28	
245 060	450 / 60°	6	100	6	520	4	30	
245 090	450 / 90°	6	100	6	350	4	30	
250 060	500 / 60°	6	100	10	560	4	37	
250 090	500 / 90°	6	100	10	375	4	37	
260 060	600 / 60°	6	100	12	645	5	46	
260 090	600 / 90°	6	100	12	425	5	46	

seals see page 14 / 15

EDELSTAHL-TECHNIK

上海三盛热能技术有限公司 Shanghai Sansheng ThermalTech Co.,Ltd.

地址: 上海市徐汇区漕宝路 70 号光大会展中心 C 座 2501 室 / 200235

电话(Tel): 021-54482938 64326951 64326952 传真 (Fax): 021-54481373

网址: <http://www.sansheng-sh.com>

E-mail: sales@sansheng-sh.com