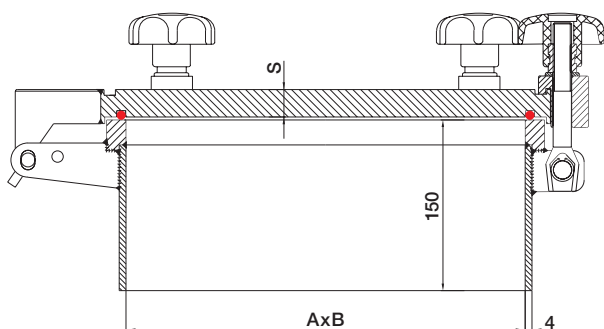


oval pressure cover

up to 10/-1bar overpressure

with approval acc. to PED 97/23/EG
with ASME-approval (optional)



standard design

- wetted material: 1.4571, optional: 1.4404 metal parts 1.4301
- plastic handle with stainless steel sleeve
- silicone seal (blue)
- with hinge, with plastic knob
- neck height 150 mm, neck thickness 4 mm
- surface ungrinded, pickled

options

- materials: 1.4435 BN2, 1.4539, 1.4529, 1.4462, 1.4429, HC-22, HC-276, HC-2000, etc.
- intermediate sizes possible
- range of seals (page 14 – 15)
- different surfaces (shot blasted, pickled or grinded up to $Ra < 0,2 \mu m$)
- neck length up to 300 mm, neck thickness up to 10 mm
- various handles and screws: stainless steel handle, t-handle, collarnut (page 23)
- cover with swivel feature (page 23)
- cover with wedge for installation on the side of the vessel (page 23)
- locking pin (page 23)
- spring assist (torsion-, disc- or gas-springs) (page 23)
- welding of different fittings (sight-glasses acc. to DIN 28120 / 28117 / 11851, tri clamp ferrules etc.) (page 21 – 22)
- various limit switches
- safety grill and safety cross (page 24)
- metal parts in different materials
- etc.

article No.	A	B	max. allowed working pressure in bar	max. allowed working temperature in ° C	number of screws M16	height over all	S in 1.4571	weight in kg	price in EUR
2203042506	200	300	4	250	6	170	16	26	
2203062506	200	300	6	250	6	175	19	28	
2203002506	200	300	10	250	6	180	24	32	
2252552506	250	350	4	250	6	170	16	31	
2253562506	250	350	6	250	6	175	19	34	
2253502508	250	350	10	250	8	180	24	39	
2304042806	300	400	4	250	6	170	16	36	
2304062506	300	400	6	250	6	175	19	42	
2304002510	300	400	10	250	10	180	24	49	
2354542506	350	450	4	250	6	180	24	55	
2354562508	350	450	6	250	8	180	24	56	
2354502512	350	450	10	250	12	180	24	59	
2405042508	400	500	4	250	8	180	24	65	
2405062510	400	500	6	250	10	180	24	67	
2405002512	400	500	10	250	12	180	24	69	

EDELSTAHL-TECHNIK

seals see page 14 / 15

上海三盛热能技术有限公司 Shanghai Sansheng ThermalTech Co.,Ltd.

地址: 上海市徐汇区漕宝路 70 号光大会展中心 C 座 2501 室 / 200235

电话(Tel): 021-54482938 64326951 64326952 传真 (Fax): 021-54481373

网址: [Http://www.sansheng-sh.com](http://www.sansheng-sh.com)

E-mail: sales@sansheng-sh.com