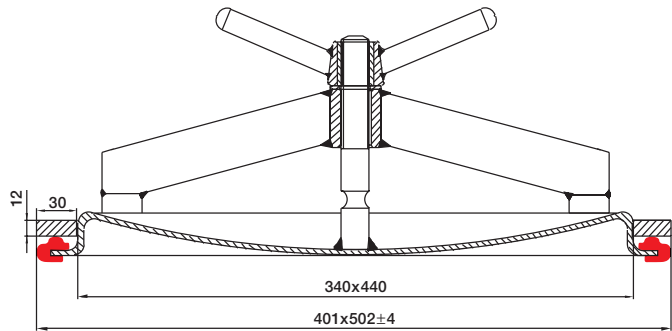


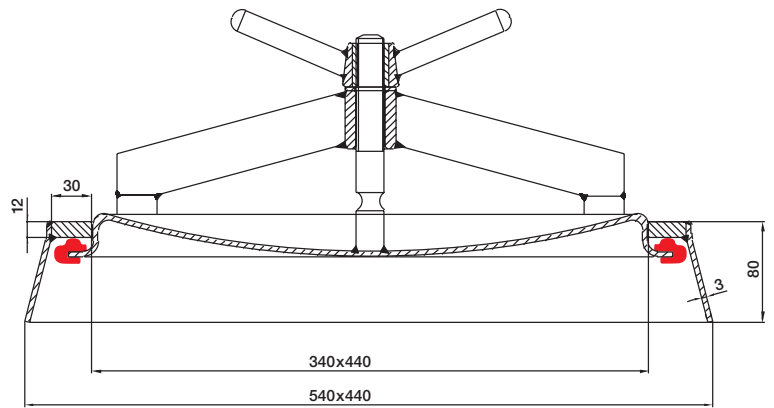
oval manhole cover 340x440

4 bar / 250° C; 5 bar / 150° C; 6 bar / 50° C

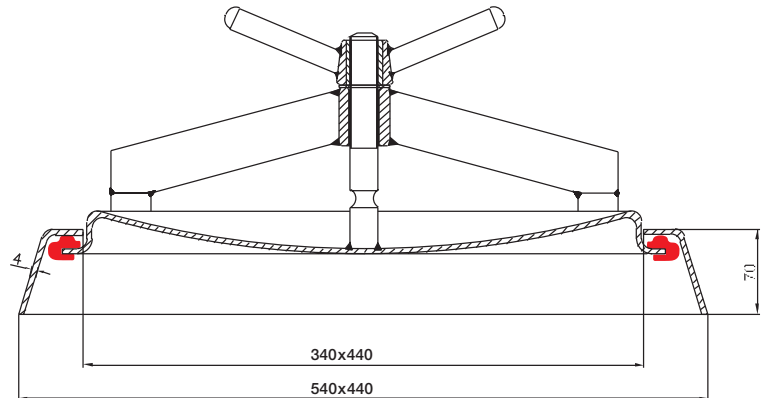
with/without EC type-examination acc. to PED 97/23/EG
with ASME-Abnahme (optional)



picture 1

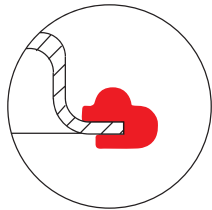


picture 2

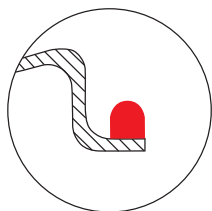


picture 3

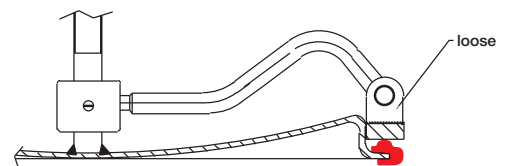
„loose“
seal detail



„vulcanized“
seal detail



swivel feature



picture 4

EDELSTAHL-TECHNIK

上海三盛热能技术有限公司 Shanghai Sansheng ThermalTech Co.,Ltd.

地址: 上海市徐汇区漕宝路 70 号光大会展中心 C 座 2501 室 / 200235

电话(Tel): 021-54482938 64326951 64326952 传真 (Fax): 021-54481373

网址: <http://www.sansheng-sh.com>

E-mail: sales@sansheng-sh.com

standard design

- wetted material: 1.4571
metal parts 1.4301
- stainless steel t-handle with brass sleeve and brass washer
- natural rubber seal (dark red)

ovale manhole cover 340x440

4 bar / 250° C; 5 bar / 150° C; 6 bar / 50° C

with EC type-examination acc. to PED 97/23/EG

article No.	description	weight in kg	price in EUR
101 406	manway cover (lid: 4 mm thick), with ring 30 x 12 mm without swivel feature (picture 1)	12,1	
101 406K	manway cover (lid: 4 mm thick), with neck 3 x 80 mm ungrinded, pickled, without swivel feature (picture 2)	15,4	
101 409	manway cover (lid: 4 mm thick), with ring 30 x 12 mm with swivel feature (picture 1+4)	13,4	
101 409K	manway cover (lid: 4 mm thick), with neck 3 x 80 mm ungrinded, pickled, with swivel feature (picture 2+4)	16,6	

without EC type-examination acc. to PED 97/23/EG

article No.	description	weight in kg	price in EUR
100 306	manway cover (lid: 3 mm thick), with ring 30 x 12 mm without swivel feature (picture 1)	11,0	
100 306K	manway cover (lid: 3 mm thick), with neck 3 x 80 mm ungrinded, pickled, without swivel feature (picture 2)	14,2	
100 306P	manway cover (lid: 3 mm thick), with neck 4 x 70 mm ungrinded, pickled, without swivel feature (picture 3)	12,0	
100 309	manway cover (lid: 3 mm thick), with ring 30 x 12 mm with swivel feature (picture 1+4)	12,3	
100 309K	manway cover (lid: 3 mm thick), with neck 3 x 80 mm ungrinded, pickled, with swivel feature (picture 2+4)	15,4	
100 309P	manway cover (lid: 3 mm thick), with neck 4 x 70 mm ungrinded, pickled, with swivel feature (picture 3+4)	12,7	

seals and spare parts

article No.	kind of seal	temperature	price in EUR lose	price in EUR vulcanized
102 000	natural rubber, food quality (dark red)	90° C / -50° C		
102 0si	silicone seal, food quality (light red)	200° C / -60° C		
102 0ep	EPDM-seal, food-quality (violet)	120° C / -50° C		
102 0pe	perbunan (NBR) seal, food-quality (red)	90° C / -35° C		
102 0vi	viton seal, food-quality (brown)	200° C / -15° C		

article No.	description	price in EUR
101 300	stainless steel oval manhole cover 340 x 440 mm	3 mm thick
101 400	including threat bolt M22 x 170 mm long	4 mm thick
103 022	stainless steel t-handle M16 - M24	
104 340	stainless steel shackle 340 x 440 mm	
106 012	stainless steel ring 30 x 12	
112 312	stainless steel neck (ring 30 x 12), 3 mm thick x 80 mm long	
113 470	stainless steel pressed neck, 4 mm thick x 70 mm long	
107	stainless steel swivel feature	
101 722	thread bold M22 x 170 with groove	

EDELSTAHL-TECHNIK

上海三盛热能技术有限公司 Shanghai Sansheng ThermalTech Co.,Ltd.

地址: 上海市徐汇区漕宝路 70 号光大会展中心 C 座 2501 室 / 200235

电话(Tel): 021-54482938 64326951 64326952 传真(Fax): 021-54481373

网址: <http://www.sansheng-sh.com>

E-mail: sales@sansheng-sh.com