

High pressure

Sight glass indicator

NORIS

Bauform 912

Application:

The flow indicators are used for optical control of fluids and gases, for horizontal and vertical pipe lines.

Installation:

Optional

Operating conditions:

Working pressure: up to 160 bar
Working temperature: with borosilicate glass max. 280°C
with quartzglass up to 500°C

Possible Connection:

Flange connection acc. to DIN up to PN 160
Flange connection acc. to ANSI up to 1.500 LBS
Butt weld ends
Female-threaded

Dimensions:

Working pressure and nominal diameter have an affect on the length.

Materials:

All materials which can be welded are possible.

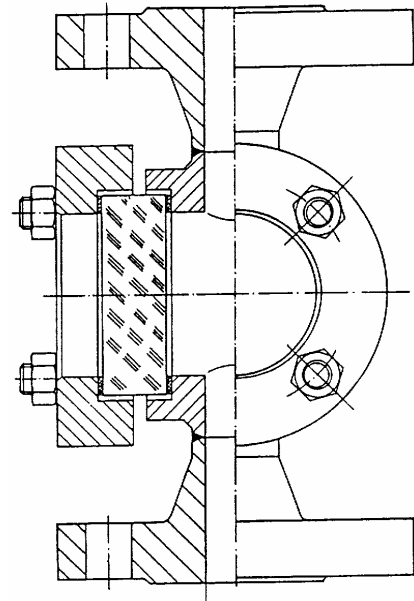
Certificate: (Option)

Acc. to EN 10204 - 2.2 or
Acc. to EN 10204-3.1.B

Options:

with - ANSI-flanges
- Butt weld ends
- Heating jacket
- Sight glass light - fittings

High pressure - design



Modifications reserved

上海三盛热能技术有限公司

Shanghai Sansheng ThermalTech Co., Ltd.

地址: 上海市徐汇区漕宝路 70 号光大会展中心 C 座 2501 室 / 200235

电话(Tel): 021-54482938 64326951 64326952

传真 (Fax): 021-54481373

网址: [Http://www.sansheng-sh.com](http://www.sansheng-sh.com)

E-mail: sales@sansheng-sh.com