

Pot - Strainer with flat screen

NORIS

Bauform 155

Application:

Preferably installed in front of measuring instruments, control valves, pumps and sensitive systems.

Operating Conditions:

Connection: Flanges acc. DIN or ANSI
Butt Welding Ends
Working pressure: 6 - 40 bar
Open area of screen: more than 1,5 x area of size

Materials:

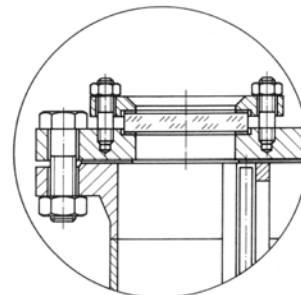
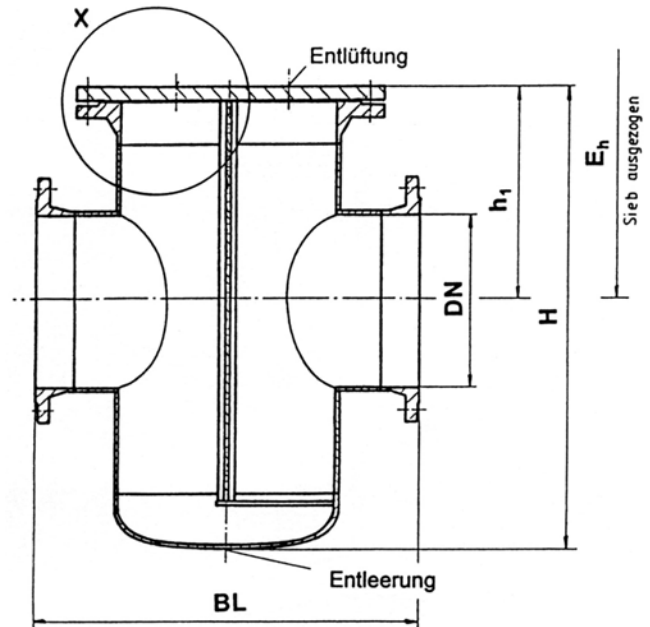
Body: WN 1.4571 / Steel
Screen: WN 1.4571
Gaskets: Klingersil C-4400
Screws: A4 - 70 / 5.6
Nuts: A4 - 70 / 5.2

Special design:

Sight glass in cover

Example for an order:

Pot strainer Bauform 155
1.4571; mesh 2.0 mm
Flanges DN 150 PN 16



Special design with sight glass in cover



Dimension:

DN	BL	H	h ₁	E _h
50	230	235	150	350
65	290	280	170	400
80	310	330	195	440
100	350	365	220	490
125	400	380	215	500
150	480	465	275	620
200	600	565	280	720
250	600	720	340	900
300	700	870	415	1120
350	800	1000	440	1200
400	900	1115	455	1265

Modifications reserved

上海三盛热能技术有限公司

Shanghai Sansheng ThermalTech Co., Ltd.

地址: 上海市徐汇区漕宝路 70 号光大会展中心 C 座 2501 室 / 200235

电话(Tel): 021-54482938 64326951 64326952

传真 (Fax): 021-54481373

网址: [Http://www.sansheng-sh.com](http://www.sansheng-sh.com)

E-mail: sales@sansheng-sh.com