

Strainer, Y - type PN 16/40

with flanged connection acc. to *DIN*

NORIS

Bauform 140

Application:

Preferably installed in front of measuring instruments, control valves, pumps and sensitive systems.

Operating conditions:

Nominal pressure : max. 16 / 40 bar
Nominal Temp max. 300°C

Standard Materials:

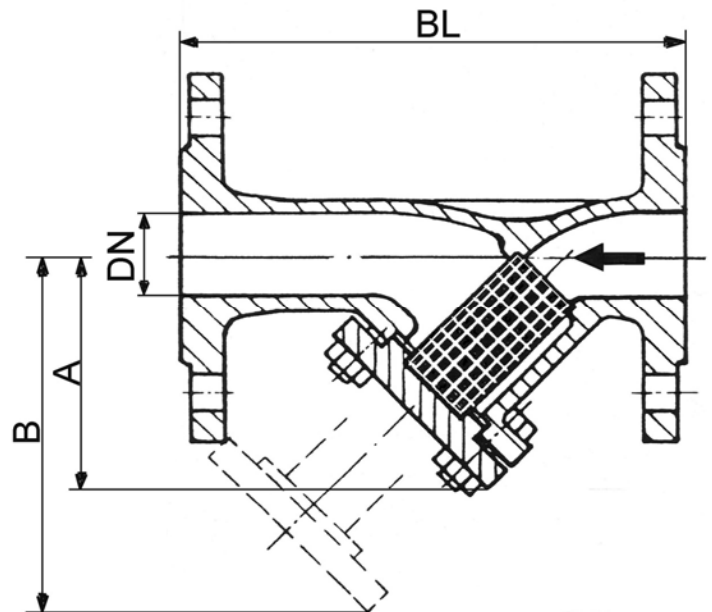
Body :	WN 1.4408	GS-C 25
Covers :	WN 1.4408/4571	GS-C 25 / H II
Screws :	A4 - 70	5.6 gal.
Screen :	WN 1.4571 / 1.401	
Gasket :	Graphit (or other materials)	

Options:

Double screen in WN 1.4571
with flanged connection acc to ANSI
Drain plug
Heating jacket

Ordering example:

Strainer,Y-type Bauform 140
stainless steel
DN 50, PN 16



Dimension:

DN	BL	A	B	Mesh-size
15	130	75	115	0,6
20	150	80	125	
25	160	90	135	0,8
32	180	90	135	
40	200	110	170	
50	230	120	190	
65	290	140	220	1,2
80	310	165	265	
100	350	220	340	
125	400	260	350	1,5
150	480	300	510	
200	600	360	580	
250	730	495	720	

Modifications reserved

上海三盛热能技术有限公司

Shanghai Sansheng ThermalTech Co., Ltd.

地址: 上海市徐汇区漕宝路 70 号光大会展中心 C 座 2501 室 / 200235

电话(Tel): 021-54482938 64326951 64326952

传真 (Fax): 021-54481373

网址: [Http://www.sansheng-sh.com](http://www.sansheng-sh.com)

E-mail: sales@sansheng-sh.com