

Sight Flow Indicator (straight line) DIN 3237

with *flanged*-Connection acc. to **DIN - PN 16, PN 25 and PN 40**

NORIS

Cast Iron GG 25 (EN-GJL-250) max 16 bar
Cast Steel GS-C 25 (1.0619 / GP240GH)
Stainless Steel WN 1.4408

Bauform 880

Application:

The flow indicators are used for optical control of fluids and gases, for horizontal and vertical pipe lines. Also available with internal spinner or flap.

Installation:

Optional; Take care of flow direction

Operating conditions:

Working pressure: max. 16 / 25 / 40 bar
 Working temperature: max. 150°C or 280°C

Certificate: (Option)

Acc. to EN 10204 - 2.2 or 3.1

Options:

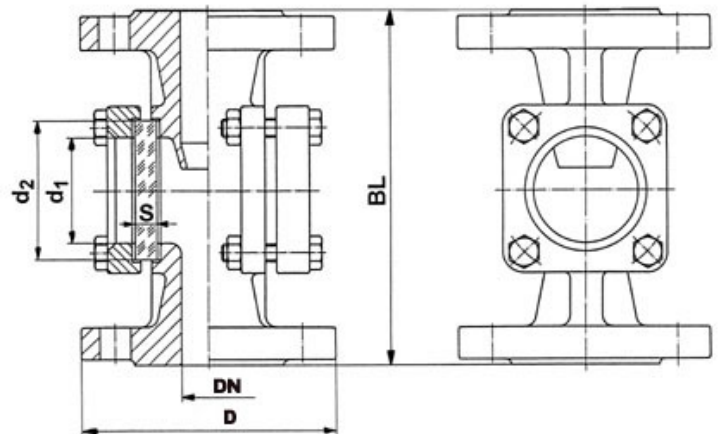
- with - ANSI-flanges
- Butt weld ends
- Spinner or Flap
- Heating jacket
- Sight glass light - fittings

Materials:

Body	GG 25	GS-C 25	1.4408
Covers	GG 25 / S235JRG2	GS-C 25 / S235JRG2	1.4408 / 1.4301
Screws	4.6 / 5.6 gal.		A4-70
Glasses	Borosilicate glass DIN 7080 (280°C) Soda lime glass DIN 8902 (150°C)		
Gaskets	Graphite, (or other materials)		

Ordering example:

Sight Flow Indicators Bauform 880,
 GG 25, with borosilicate glass DIN 7080
 DN 50, PN 16



DN 15 - 50
(Covers square)

DN 65 - 250
(Covers round)

Dimensions:

DN	D	BL	d ₁	Glass plate			
				d ₂	S		
					PN 16	PN 25	PN 40
15	95	130	32	45	10	10	10
20	105	150	32	45	10	10	10
25	115	160	48	63	10	12	15
32	140	180	48	63***	10	12	15
40	150	200	65	80	12	15	20
50	165	230	80	100	15	20	25
65	185	290	80	100	15	20	25
80	200	310	100	125	20	25	30
100	220(235) *	350	125	150	25	30	35
125	250(270) *	400	150	175	25	30	a.A.
150	285(300) *	480	175	200	30 **	35	a.A.
200	340(360/375)*	600	175	200	30 **	35	a.A.
250	405(425/450)*	730	175	200	30 **	35	a.A.

* D in () acc. to PN 25 / PN 40

** 16 bar only with borosilicate glass possible

*** by GG25 glass plate Ø 80x12

Modifications reserved

上海三盛热能技术有限公司

Shanghai Sansheng ThermalTech Co., Ltd.

地址: 上海市徐汇区漕宝路 70 号光大会展中心 C 座 2501 室 / 200235

电话(Tel): 021-54482938 64326951 64326952

传真 (Fax): 021-54481373

网址: Http://www.sansheng-sh.com

E-mail: sales@sansheng-sh.com