

# Sight Flow Indicators (straight line)

with *butt weld ends* (S)

# NORIS

## Bauform 112-S

### Application:

Sight Flow Indicators are used for optical control and the observation of filling and current in pipelines. Without restfluid in the body in horizontal installation.

**Without rest fluid  
in the body**

### Operating conditions:

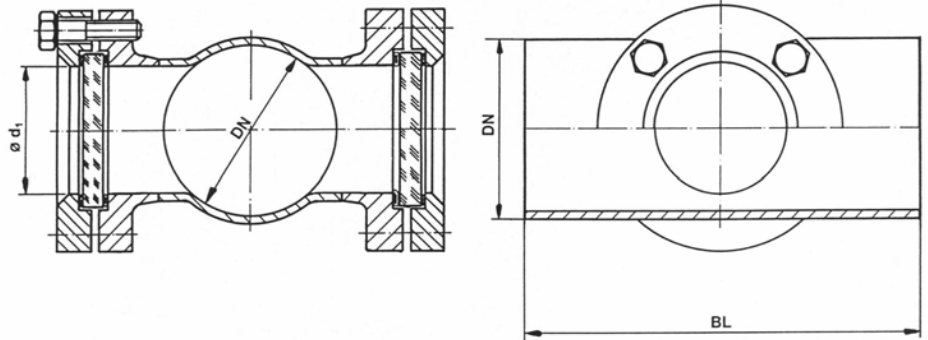
Working pressure : 16 bar

### Standard Materials:

Body : WN 1.4571 or 1.4404  
 Covers : Stainless steel  
 Screws : A4-70  
 Sight glasses : Borosilicate glass acc. to DIN 7080; ( max. 280°C )  
 Soda lime glass acc. to DIN 8902; ( max 150°C )  
 Gasket : Graphite ( other materials are available on request )

### Options:

Flanges in DIN or ANSI  
 Light-fitting  
 Body in steel



### Ordering example:

Sight flow indicators  
 with butt weld ends  
 Bauform 112-S  
 Body: WN 1.4571;  
 Borosilicate glass  
 DN 100 / 114,3



### Dimensions:

DN / Da	BL	ø d <sub>1</sub>	Glass Ø <sub>d</sub> x S
25 / 33,7	160	23	45 x 10
40 / 48,3	200	39	63 x 10
50 / 60,3	230	44	63 x 10
80 / 88,9	310	64	80 x 12
100 / 114,3	350	80	100 x 15
125 / 139,7	400	80	100 x 15
150 / 168,3	480	100	125 x 20
200 / 219,1	600	125	150 x 25
250 / 273,0	730	150	175 x 25
300 / 323,9	850	150	175 x 25
350 / 355,6	980	150	175 x 25

Modifications reserved

上海三盛热能技术有限公司

Shanghai Sansheng ThermalTech Co., Ltd.

地址: 上海市徐汇区漕宝路 70 号光大会展中心 C 座 2501 室 / 200235

电话(Tel): 021-54482938 64326951 64326952

传真 (Fax): 021-54481373

网址: [Http://www.sansheng-sh.com](http://www.sansheng-sh.com)

E-mail: [sales@sansheng-sh.com](mailto:sales@sansheng-sh.com)