

# Sight Flow Indicators ( Straight line )

with *butt weld ends*

# NORIS

**Cast Steel** GS-C 25 ( 1.0619 / GP240GH )  
**Stainless steel** WN 1.4408

## Bauform 880-S

### Application:

The NORIS flow indicators are used for optical control of fluids and gases, for horizontal and vertical pipe lines. Also available with internal spinner or flap.

### Installation:

Optional: Take care of flow direction

### Operating conditions:

Working pressure: max. 16 / 25 / 40 bar  
 Working temperature: max. 150°C or 280°C

### Materials:

Body	<b>GS-C 25</b>	<b>1.4408</b>
Covers	GS-C 25 / S235JRG2	1.4408 / 1.4301
Screws	4.6 / 5.6	A4-70
Sight glass	Borosilicate glass DIN 7080 ( 280°C ) Soda-lime glass DIN 8902 ( 150°C )	
Gaskets	Graphite, ( or other materials )	

### Certificate: ( Option )

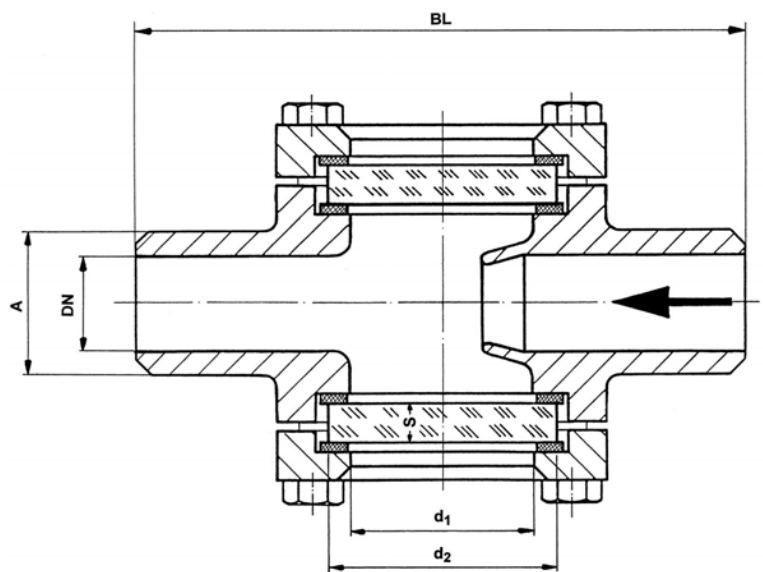
Acc. to EN 10204-2.2 or 3.1

### Options:

- with - Spinner or Flap
- Heating jacket
- Sight glass light - fitting

### Ordering example:

Sight Flow Indicators Bauform 880-S,  
 butt weld ends; GS-C 25,  
 borosilicate glass DIN 7080-16 (bar)  
 DN 50 / 61,0



### Dimensions:

DN / A	BL	d <sub>1</sub>	d <sub>2</sub>	S		
				PN 16	PN 25	PN 40
15 / 22,0	100	32	45	10	10	10
20 / 28,0	100	32	45	10	10	10
25 / 34,0	120	48	63	10	12	15
32 / 42,0	120	48	63	10	12	15
40 / 49,0	160	65	80	12	15	20
50 / 61,0	230	80	100	15	20	25
65 / 77,0	290	80	100	15	20	25
80 / 90,0	310	100	125	20	25	30
100 / 115,0	350	125	150	25	30	35
125 / 141,0	400	150	175	25	30	a.A.
150 / 170,0	480	175	200	30	35	a.A.
200 / 222,0	600	175	200	30	35	a.A.
250 / 276,0	730	175	200	30	35	a.A.

Modifications reserved

上海三盛热能技术有限公司

Shanghai Sansheng ThermalTech Co., Ltd.

地址: 上海市徐汇区漕宝路 70 号光大会展中心 C 座 2501 室 / 200235

电话(Tel): 021-54482938 64326951 64326952

传真 (Fax): 021-54481373

网址: [Http://www.sansheng-sh.com](http://www.sansheng-sh.com)

E-mail: [sales@sansheng-sh.com](mailto:sales@sansheng-sh.com)