

Sight Flow Indicators (straight line) with Flap

with **pipe - thread** connection **BSP (G)** or **NPT**

Cast Iron GG 25 (EN-GJL-250) max. 16 bar
Cast Steel GS-C 25 (1.0619 / GP240GH)
Stainless Steel WN 1.4408

NORIS

Bauform 881-K

Application:

The flow indicators are used for optical control of fluids and gases, for horizontal and vertical pipelines.

Installation:

Flow direction horizontal or vertical from bottom to top

Operating conditions:

Working pressure: max. 16 / 25 / 40 bar
 Working temperature: max. 150°C or 280°C

Certificate: (Option)

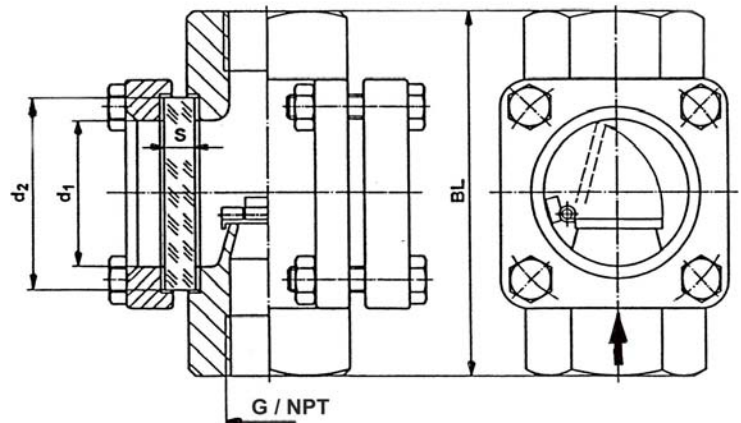
Acc. to EN 10204-2.2 or 3.1

Options:

- Spinner
- Sight glass light - fittings

Materials:

Body	GG 25	GS-C 25	1.4408
Covers	GG 25	GS-C 25	1.4408 / 1.4301
Screws	4.6 / 5.6 gal.		A4-70
Glasses	Borosilicate glass DIN 7080 (280°C) Soda lime glass DIN 8902 (150°C)		
Gaskets	Graphite, (or other materials)		
Flap	1.4571		



Ordering example:

Sight Flow Indicators with flap
 Bauform 881-K, Flap 1.4571
 GS-C 25, Borosilicate glass DIN 7080-16 bar
 G 3/4"



Dimensions:

BSP (G) or NPT	BL	d ₁	d ₂	Glass plate		
				S		
				16	25	40 bar
1/4" 3/8" 1/2"	100	32	45	10	10	10
3/4" 1"	120	48	63	10	12	15
1 1/4"	160	65	80	12	15	20
1 1/2"	160	65	80	12	15	20
2"	230 180 (GG)	80	100	15	20	25

NPT-thread only in GS-C 25 or 1.4408

Modification reserved

上海三盛机电科技有限公司

Shanghai Sansheng Machine Electricity Technology Co., Ltd.

地址: 上海市徐汇区漕宝路 70 号光大会展中心 C 座 2501 室 / 200235

电话(Tel): 021-54482938 64326951 64326952

网址: <http://www.sansheng-sh.com>

传真 (Fax): 021-54481373

E-mail: sales@sansheng-sh.com